

ERSKINE[®]
ATTACHMENTS LLC

www.erskineattachments.com
800.437.6912

TRENCH FILLER/LANDSCAPE BLADE

SKID STEER ATTACHMENT



ONE TOOL DOES IT ALL...

The Trench Filler/Landscape Blade provides 4-in-1 positioning capabilities for a variety of grading and trench filling tasks. Fully extended to 108", the blade sections can be maneuvered to fit curbs and sidewalks while avoiding obstacles without losing your grading position. It's a landscaper's new best friend.

FEATURES

- Finish grading with hydraulic tilt for +/- 15° slope cutting
- V-shaped trench filling blade arrangement
- UHMW plastic guide for blading along sidewalks and curbs
- Curb Cutter for laying sod at a finished grade flush with the curb height. Also positions for grading flush with top of sidewalk.
- Finishing Grading with 15° of tilt
- Fold-up wing for immovable objects such as signs or hydrants
- Our universal attachment plates fit most skid steers

800.437.6912

ERSKINE[®]
ATTACHMENTS LLC

ERSKINE[®]
ATTACHMENTS LLC

www.erskineattachments.com

800.437.6912

TRENCH FILLER/LANDSCAPE BLADE

SKID STEER ATTACHMENT



Model	Trench Filler / Landscape Blade
Part Number	900327
Weight	480 lb.
Length	57"
Width	94"
Height	21"
Blade Length	108"
Blade Angle	30°
Blade Tilt Angle	+/- 15°
Blade Thickness	3/8" x 6"

Options

Factory Installed Couplers

800.437.6912

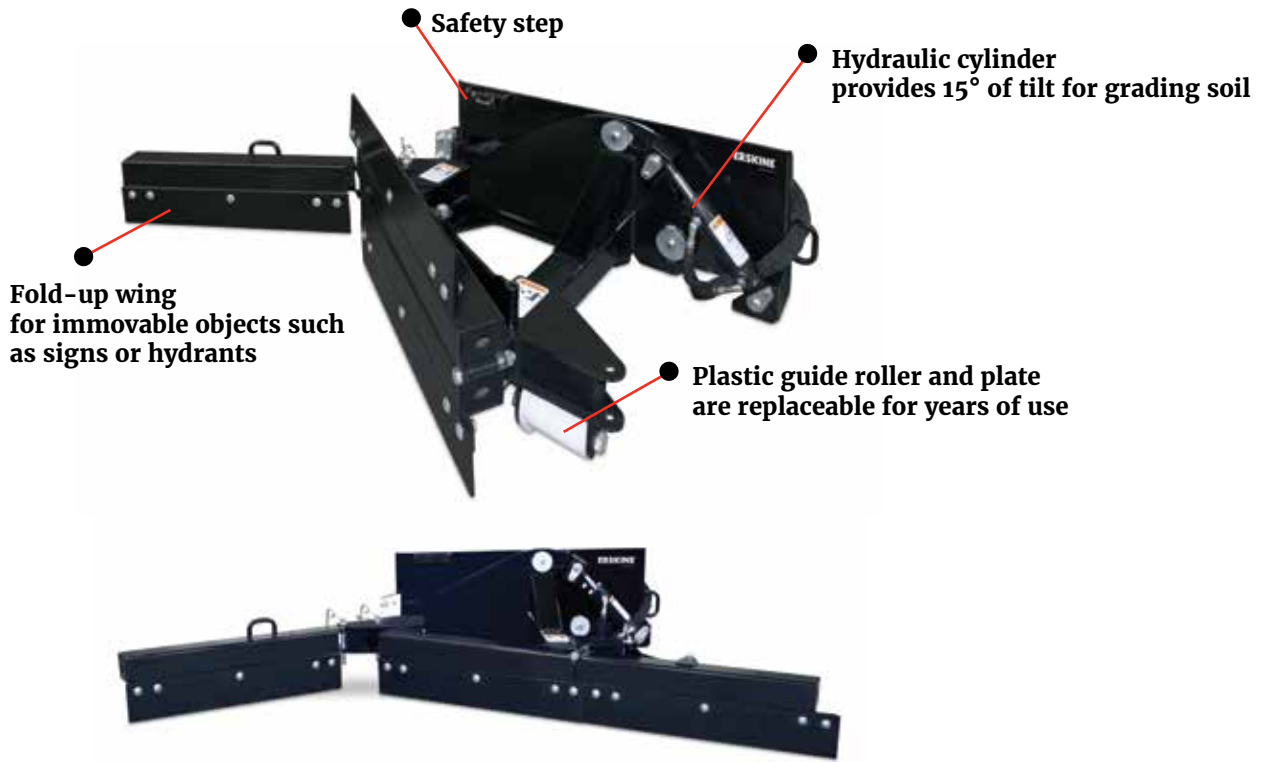
ERSKINE[®]
ATTACHMENTS LLC

ERSKINE[®]
ATTACHMENTS LLC

www.erskineattachments.com
800.437.6912

TRENCH FILLER/LANDSCAPE BLADE

SKID STEER ATTACHMENT



Shown here in fully extended trench filling position.



800.437.6912

ERSKINE[®]
ATTACHMENTS LLC