

ERSKINE[®]
ATTACHMENTS LLC

www.erskineattachments.com
800.437.6912

MINI TRENCHER

MINI SKID STEER ATTACHMENT



YOU'LL DIG THIS...

For tough-to-tackle trenching jobs, our unit offers contractors a heavy-duty, easy-to-operate solution for digging trenches – large or small.

FEATURES

- Direct-Drive design
- 3' boom with crumpler shoe that is removable
- 12" spoil auger that is removable
- Our universal attachment plates fit most skid steers

800.437.6912

ERSKINE[®]
ATTACHMENTS LLC

MINI TRENCHER

MINI SKID STEER ATTACHMENT

Model	Mini Trencher
Overall Width	40.38"
Overall Height	24"
Overall Length	79.38"
Trenching Depth @ 60°	38"
Operating psi	2,000 - 3,000 psi
Rated Flow	7-15 GPM
Shaft Speed	85-185 RPM
Weight (3' x 6" Double Chain)	600 lb.

Mounting Kit Configurations

ASV/Terex (RC/PT30)

Bobcat (MT-52/55, 463/S70)

Toro / Vermeer / Boxer / Ditch Witch / Ramrod / Kanga / Cormidi

Universal Mounting Plate (up to 1,000 lb. ROC and within rated flow)

Options

Factory Installed Couplers

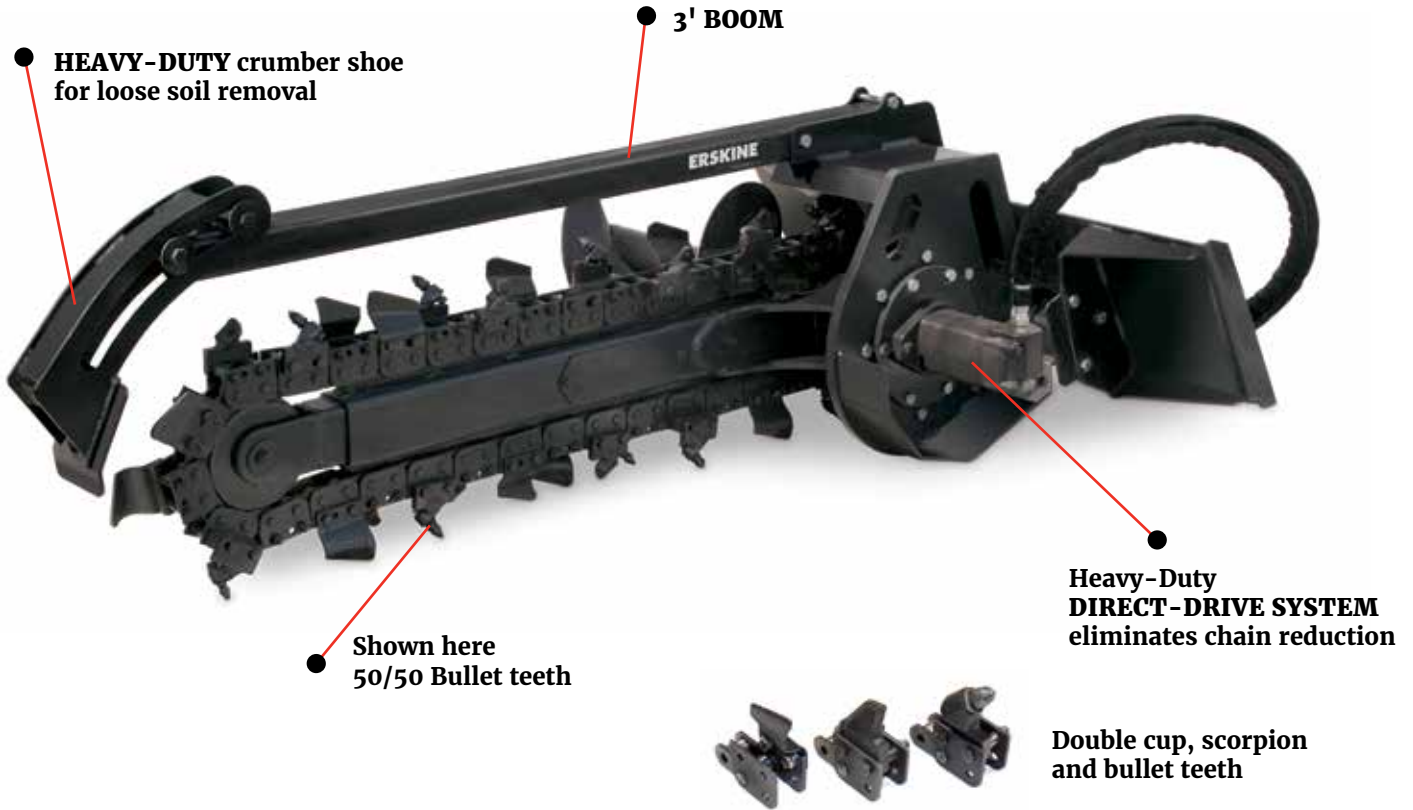
Models	
4" Cup	901152
4" 50/50 Cup with Bullet	901153
4" 50/50 Cup with Scorpion	901154
6" Cup	901036
6" 50/50 Cup with Bullet	901037
6" 50/50 Cup with Scorpion	901038
8" Cup	901039
8" 50/50 Cup with Bullet	901040
8" 50/50 Cup with Scorpion	901041

ERSKINE[®]
ATTACHMENTS LLC

www.erskineattachments.com
800.437.6912

MINI TRENCHER

MINI SKID STEER ATTACHMENT



800.437.6912

ERSKINE[®]
ATTACHMENTS LLC