

ERSKINE[®]
ATTACHMENTS LLC

www.erskineattachments.com

800.437.6912

EARTH AUGER

SKID STEER ATTACHMENT



AUGER FASTER...

The powerful auger drive units are durable enough to withstand any construction or utility use in even the toughest ground conditions. These planetary drive units produce high torque at low speeds and offer reverse rotation for cleaning of the hole.

FEATURES

- Planetary gear drive for lower maintenance costs
- Available in 2", 2.5" hex or 2-9/16" round drive shafts
- Drills vertical or angles holes
- Self-centering
- Our universal attachment plates fit most skid steers

800.437.6912

ERSKINE[®]
ATTACHMENTS LLC

ERSKINE[®]

ATTACHMENTS LLC

www.erskineattachments.com

800.437.6912

EARTH AUGER

SKID STEER ATTACHMENT



Model	5PD	19PD	40PD	45PD	55PD
Part Number (2" Hex)	900750	900751	901201	901203	901205
Part Number (2.5" Hex)	N/A	N/A	901201	901203	901205
Part Number (2 9/16" Round)	900754	900755	N/A	N/A	N/A
Maximum Diameter	30"	36"	48"	48"	48"
Minimum Hydraulic Flow	10 GPM	15 GPM	20 GPM	25 GPM	30 GPM
Maximum Hydraulic Flow	25 GPM	30 GPM	40 GPM	45 GPM	60 GPM
Maximum Continuous psi	3,000 psi	3,000 psi	4,500 psi	4,500 psi	4,500 psi

Adapters	Fixed Length Extensions	Variable Length Extensions
2" Hex Output Shaft 2-9/16" Rnd Collar Opening	2" Hex 12"	2" Hex 12"
2" Hex Output Shaft 2" Round Collar Opening	2" Hex 24"	2" Hex 24"
2-9/16" Rnd Output Shaft 2" Hex Collar Opening	2" Hex 48"	2" Hex 48"
2-9/16" Rnd Output Shaft 2" Rnd Collar Opening	2" Hex 72"	2" Hex 72"
2" Rnd Output Shaft 2" Hex Collar Opening	2-9/16" Rnd 12"	2-9/16" Rnd 12"
2" Rnd Output Shaft 2-9/16" Rnd Collar Opening	2-9/16" Rnd 24"	2-9/16" Rnd 24"
2" Hex Output Shaft 2-1/2" Hex Collar Opening	2-9/16" Rnd 48"	2-9/16" Rnd 48"
	2-9/16" Rnd 72"	2-9/16" Rnd 72"

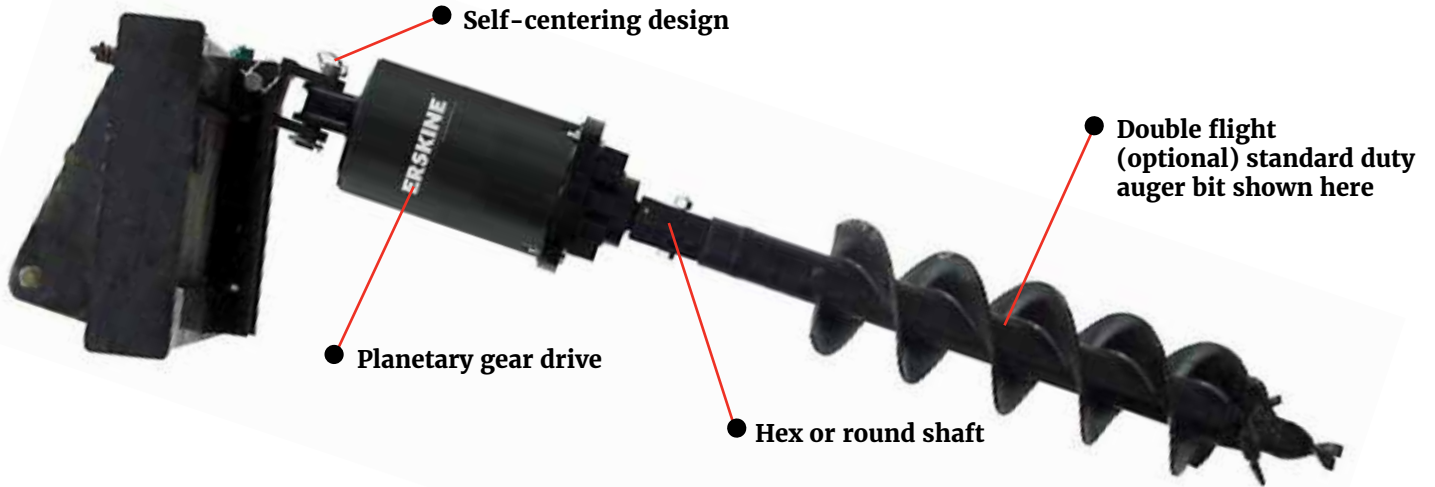
800.437.6912

ERSKINE[®]

ATTACHMENTS LLC

EARTH AUGER

SKID STEER ATTACHMENT



Standard Duty Bits*

4"
6"
8"
9"
10"
12"
15"
16"
18"
20"
24"
30"
36"



- For light to moderate ground conditions
- Fabricated boring head
- Hardened bolt-on gauge teeth (outside positions)
- Hardened bolt-on wisdom teeth (inside positions)
- Hardened fishtail point
- HD, double flighting
- 4' standard

Heavy-Duty Bits*

6"
8"
9"
10"
12"
15"
16"
18"
20"
24"
30"
36"
42"
48"



- For difficult ground conditions, compacted soils, heavy clay, asphalt, frozen ground, fracturable rock
- HD cast steel boring head
- Hardened drive-in gauge teeth (outside positions)
- Hardened drive-in chisel teeth (inside positions)
- Hardened fishtail point
- HD, double flighting
- 4' standard

Rock Style Bits*

4"
4" HD
6"
9"
12"
16"
18"
20"
24"
30"
36"



- For solid, fracturable rock, frozen ground, compacted soils, asphalt, and concrete
- Cast steel boring head
- Bullet style teeth
- HD single flighting
- 3/4" thick bottom flight
- Hardfaced outer edge
- 2" hexagon collar
- 4' standard

Tree Style Bits*

18"
24"
30"
36"
42"
48"



- For tree & shrub planting
- Two-diameter design
- Fabricated boring head
- Hardened bolt-on gauge teeth (outside positions)
- Hardened bolt-on wisdom teeth (inside positions)
- Hardened fishtail point
- HD, double flighting
- 4' standard